

Novatech®

Assembly and Installation Guide

2021 Series OXXO Supplement



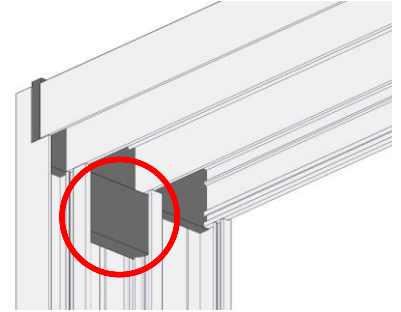
Aluminum Patio Door

FIXED PANEL INSTALLATION

PROCEDURE:

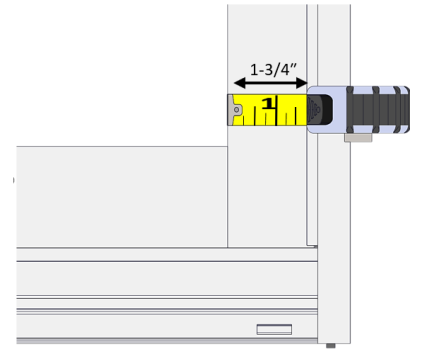
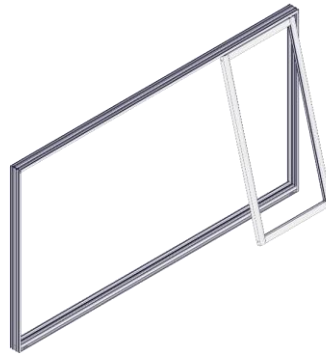
Placement of Jamb Pocket Foam

- Ensure that a jamb pocket foam pad is located at the top and bottom of the exterior jamb, where the fixed panel will be located.



Installing the Fixed Panels

- Lift the fixed panel into the exterior track of the header.
- Swing the fixed panel towards the sill.
- Lower the panel onto the sill.
- Push the fixed panel completely against the jamb.
- Ensure that the glass line is no more than 1-3/4" (44 mm) from the frame track as shown.

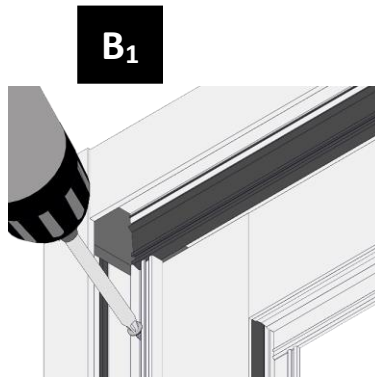


NOTE: If possible, use a bar clamp to properly nest the fixed panel into the jamb. This will ensure that the fixed panel can be properly secured for this following step.

NOTE: Use flathead screws to affix the jamb to the RSO, then the fixed. Otherwise, the fixed panel may not be nestled all the way in.

Securing the Fixed Panel

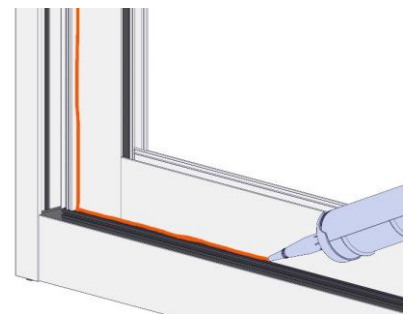
- Fasten the fixed panel to the jamb by using five (5) #8 x 1" flathead screws as shown (using a driver with a 6" long bit).



NOTE: Additional screws are needed for taller doors.

Caulking the Fixed Panel

- Apply sealant along the interior edges of the panel, where it meets the header, sill, and jamb.

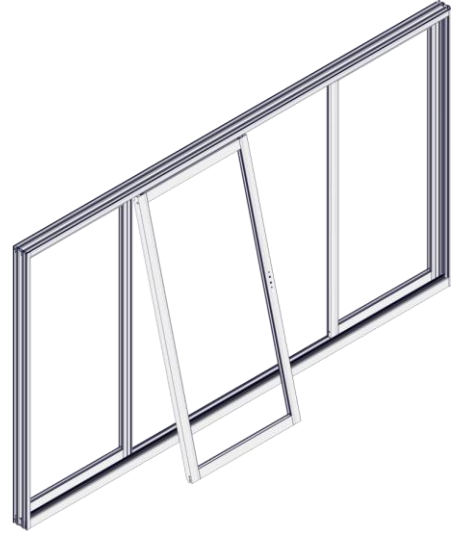


OPERATING PANEL INSTALLATION

PROCEDURE:

Placing the Operating Panels

- Lift the operating panel into the interior track of the header as shown.
- Swing the operating panel towards the sill.
- Carefully lower the panel onto the roller track.



Adjusting Operating Panel Height

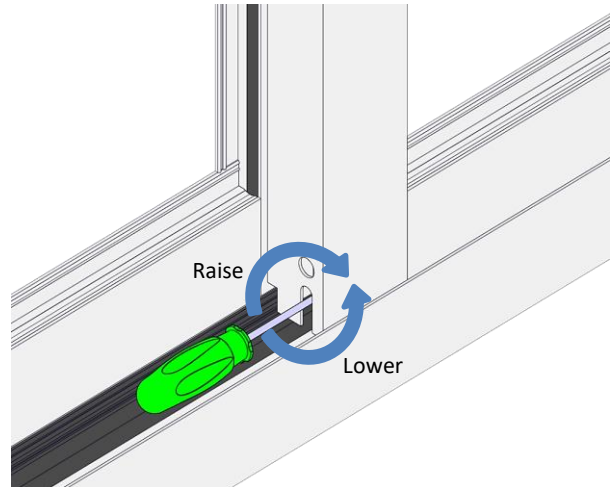
NOTE: The operating panels may need to be adjusted for squareness and airtightness. It is recommended to lower the rollers to the lowest possible position while maintaining squareness with the frame. If the panel is dragging on the track, raise the rollers accordingly.

NOTE: The operating panels must be adjusted prior to affixing the hardware, specifically the keeper.

- Slide the panel in the closing direction to within ¼" of the jamb.
- Ensure that the gap between the panel and the jamb is uniform from top to bottom.
- Adjust the panel with a screwdriver as shown, (upwards or downwards) as necessary, until the panel aligns to the jamb.

NOTE: Take the weight off the wheels (lift the panel slightly) during adjustment for ease of turning and to ensure against stripping the adjustment mechanism.

NOTE: If the jamb is NOT straight, remove the installation screws, adjust the shims, and refasten.



SUPPLEMENTAL INSTRUCTIONS: OXYO/OYXO 4 PANEL

PROCEDURE:

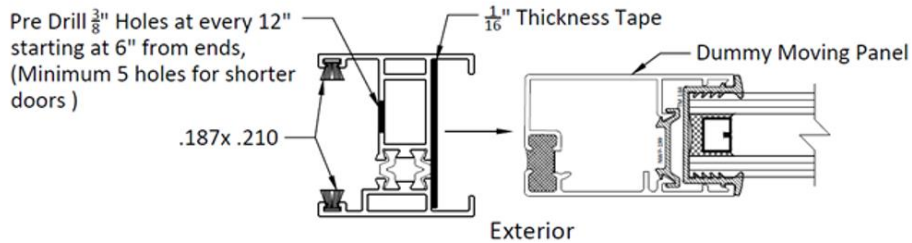
The H-bar is installed on the 'dummy' operating panel. Place the H-bar against the vertical rail of the 'dummy' moving panel.

One side of the H-bar will be lined with 1/16" thick black foam which will go against the dummy moving panel.

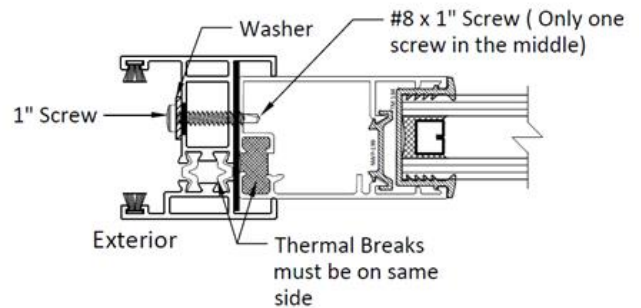
Align thermal break of the H-bar to line up with thermal break of dummy panel rail.

NOTE: The H-Bar adapter will be affixed to the panel with a **RED**-headed screw. This is only for transport purposes. Remove the red screw and the H-Bar from the panel with appropriate, supplied fasteners.

Once the panels are installed and levelled, the H-Bar can be installed. See instructions below.



- Use #8x1" self-drilling pan-head screws to affix the H-bar to the fixed dummy panel rail, using the pre-drilled holes
- Cover the pre-drilled holes on the H-bar by using plastic 3/8" cap plugs



NOTE: For a 4-panel door, the door keeper will be installed to the H-Bar.

POCKET COVER & SILL THRESHOLD COVER INSTALLATION

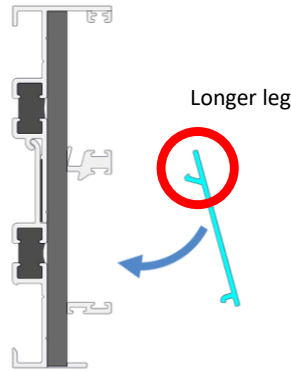
NOTE: The pocket covers are designed to be installed in one orientation only. Ensure the longer leg is in the correct position, as shown in the diagrams below.

PROCEDURE:

Vertical Pocket Covers for jambs are on interior

Installing the Jamb Pocket Covers

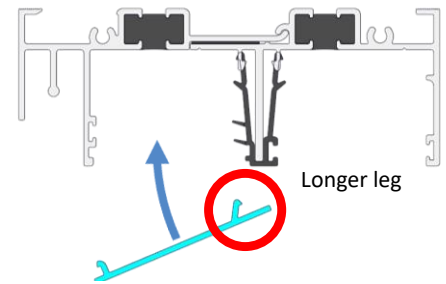
- Fit the jamb pocket cover into the unoccupied slot as shown.
- Ensure the longer leg is towards the interior.
- Use a mallet if needed, to snap the pocket cover tightly into place.
- Repeat the previous steps for the other jamb.



Header Cover and Threshold and installed on exterior side

Installing the Header Cover

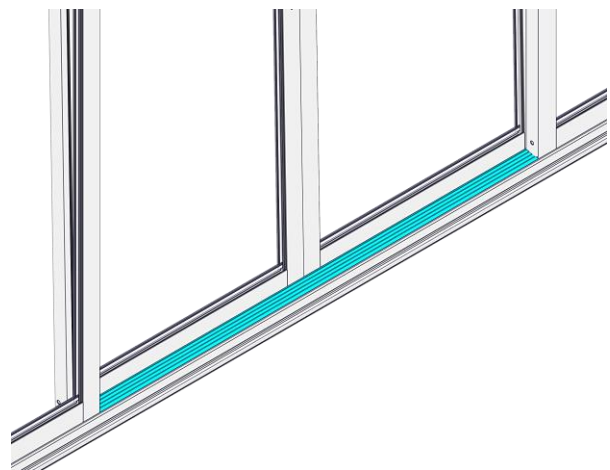
- Fit the header pocket cover in the exterior header slot as shown.
- Ensure the longer leg is towards the interior.
- Use a mallet if needed, to snap the pocket cover tightly into place.



NOTE: The exterior header pocket cover can only be installed in the orientation shown. Ensure the longer leg is in the correct position.

Installing the Sill Threshold Cover

- Place the sill threshold cover between the fixed panels as shown.
- Ensure the sill threshold cover slopes towards the exterior.
- Use a mallet to snap the threshold cover securely in place.



NOTE: The sill threshold cover should fit snugly. If it does not, the fixed panel is NOT fitted all the way into the jamb. Reinstall the fixed panel and try again.